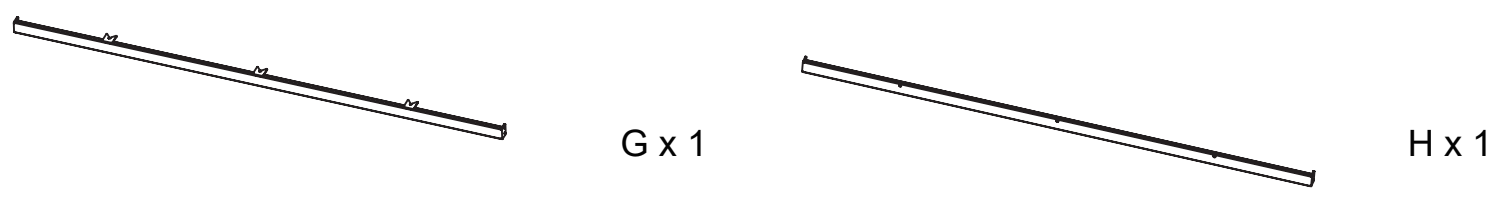
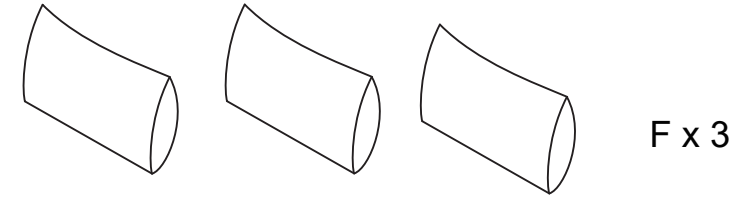
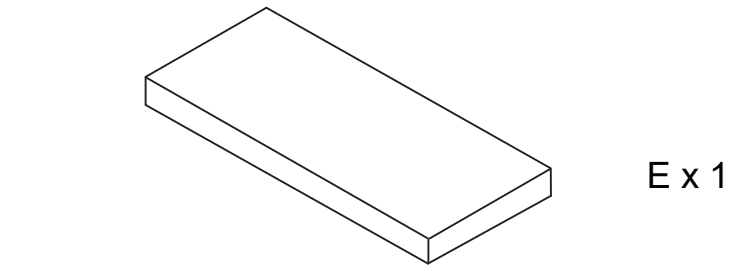
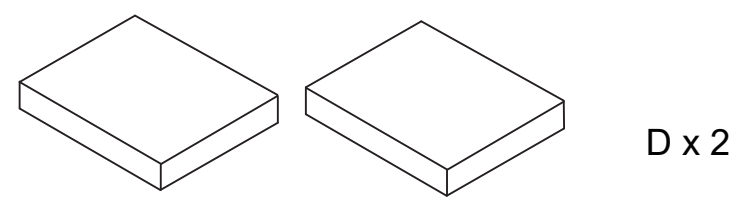
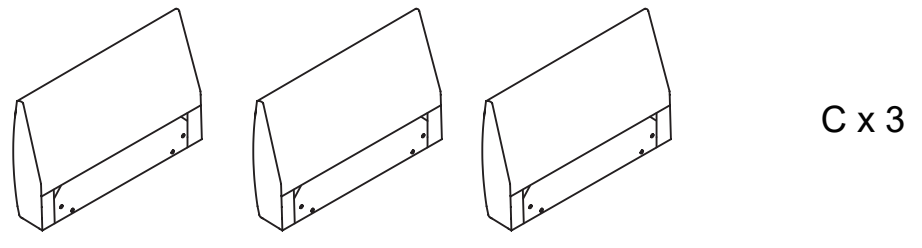
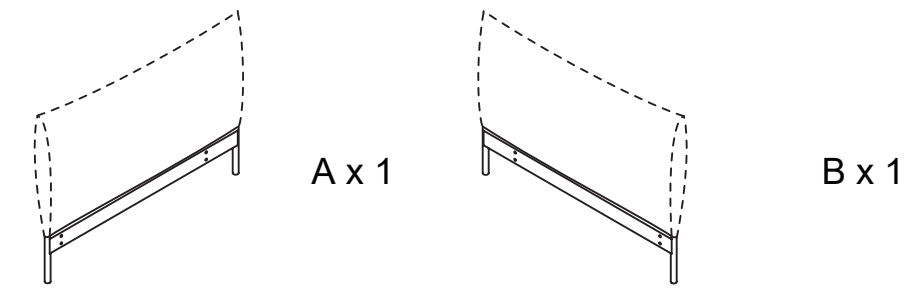




06998-060-09
Combination D3

- ① x 22
- ② x 2
- ③ x 6
- ④ x 6
- ⑤ x 3
- ⑥ x 6
- ⑦ x 12
- ⑧ x 3
- ⑨ x 1
- ⑩ x 1



B x 1

C x 3

D x 2

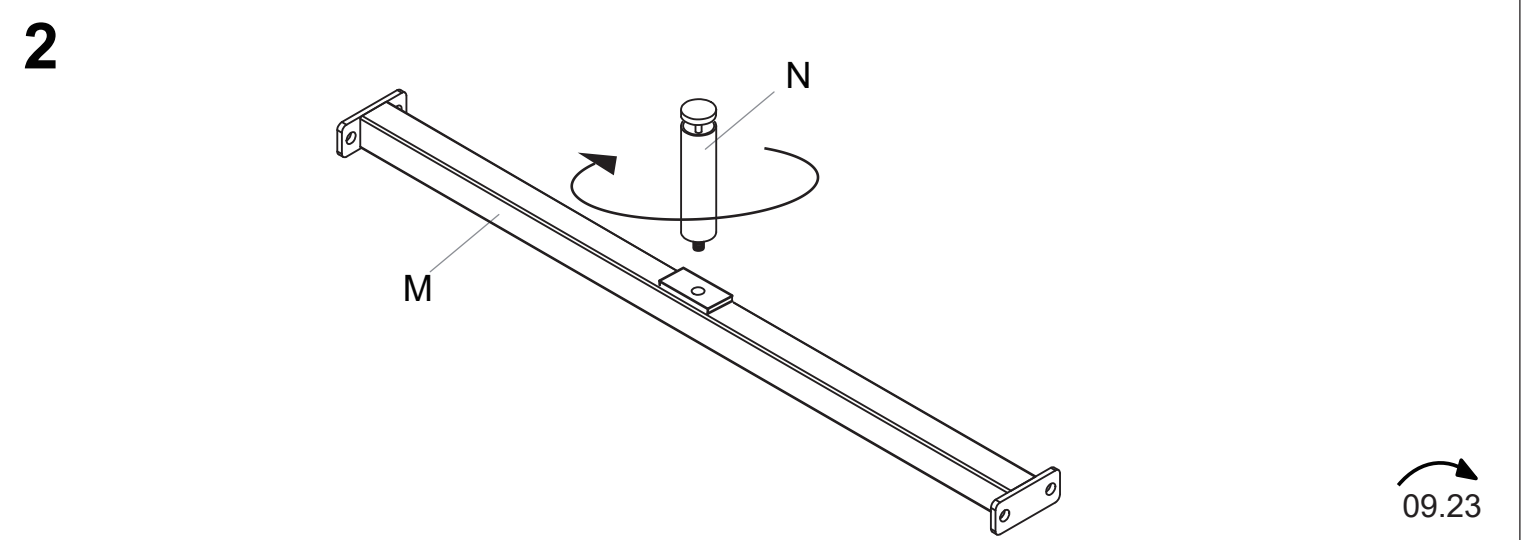
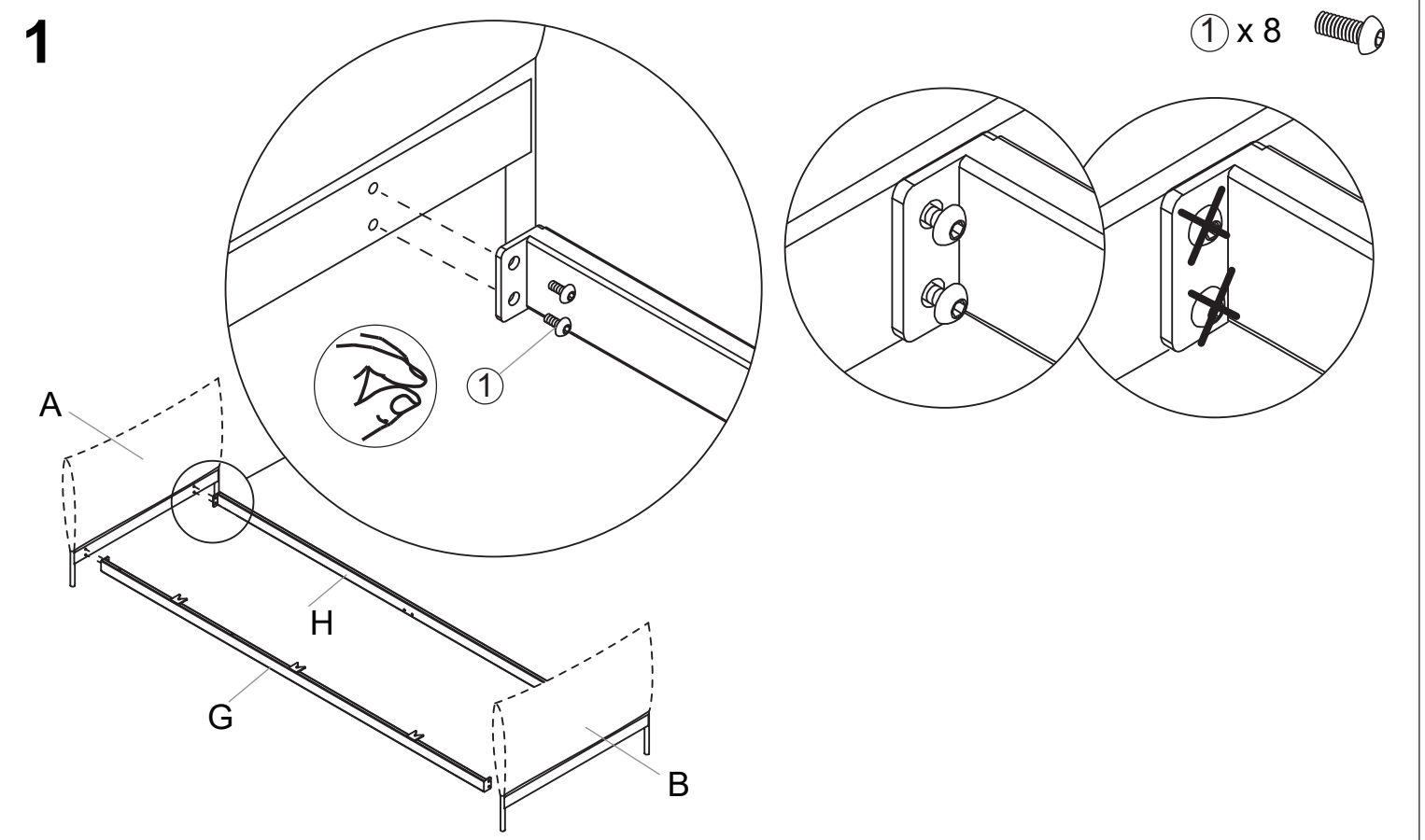
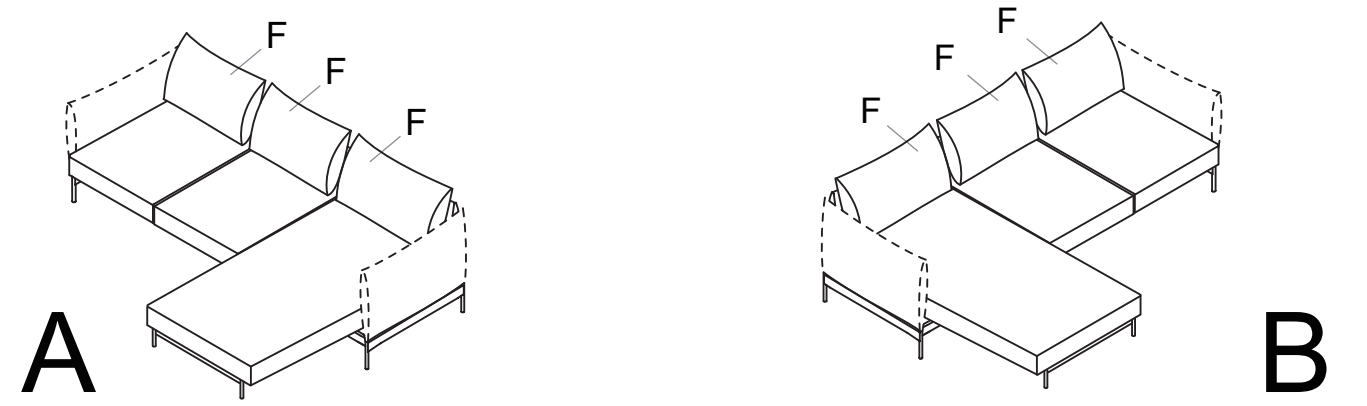
E x 1

F x 3


H x 1

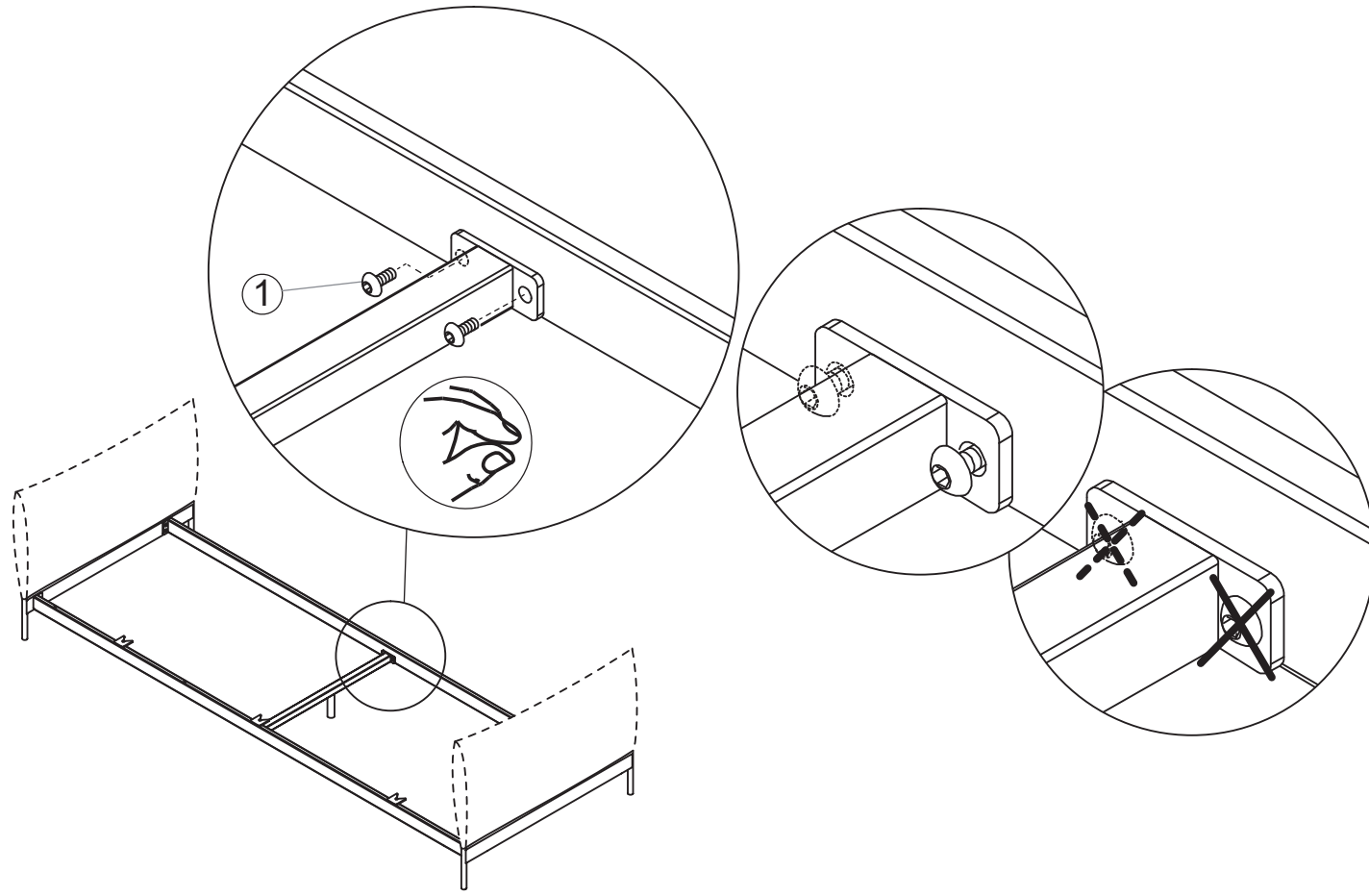
K x 1

M x 1



3

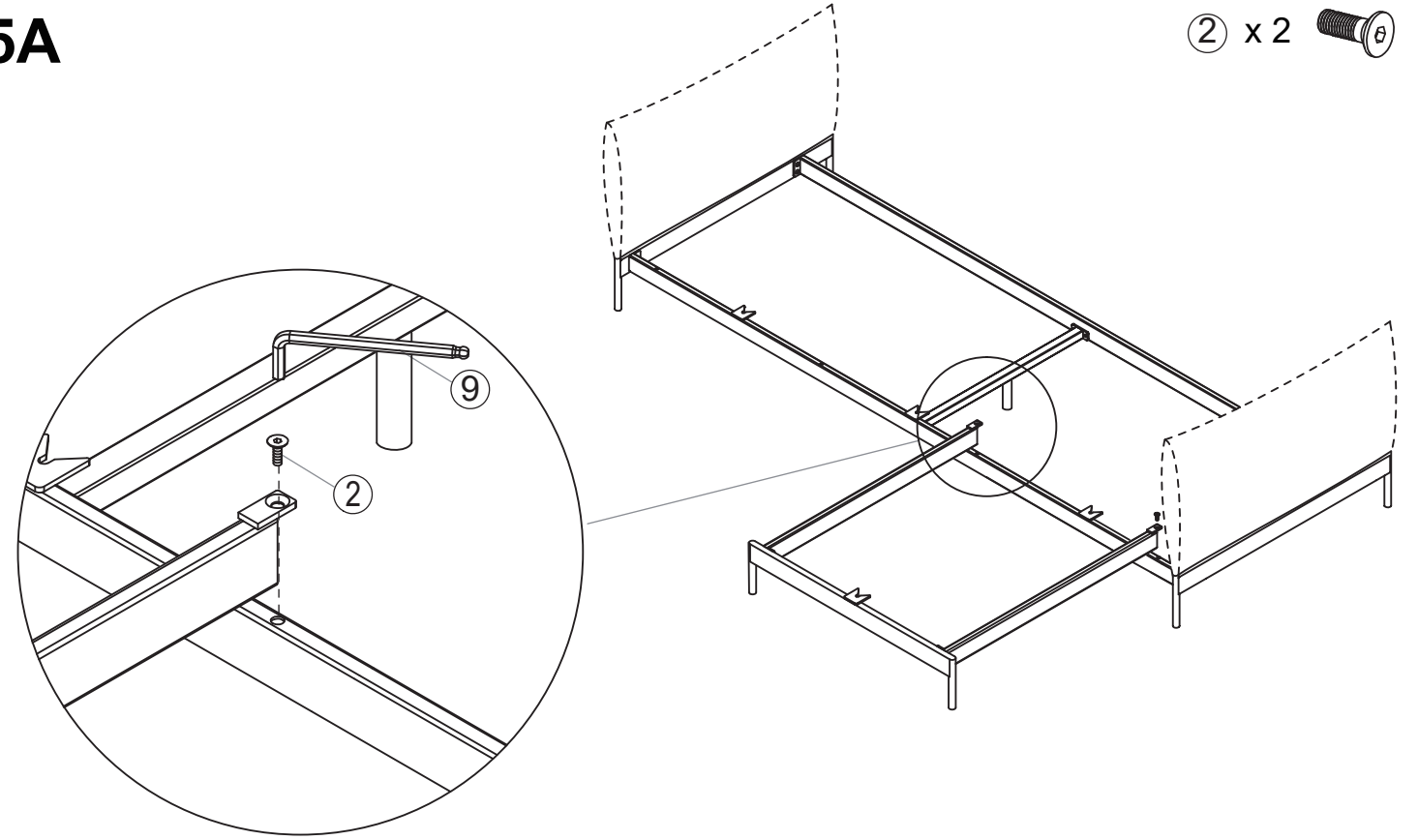
① x 4 




06998-060-09
Combination D3

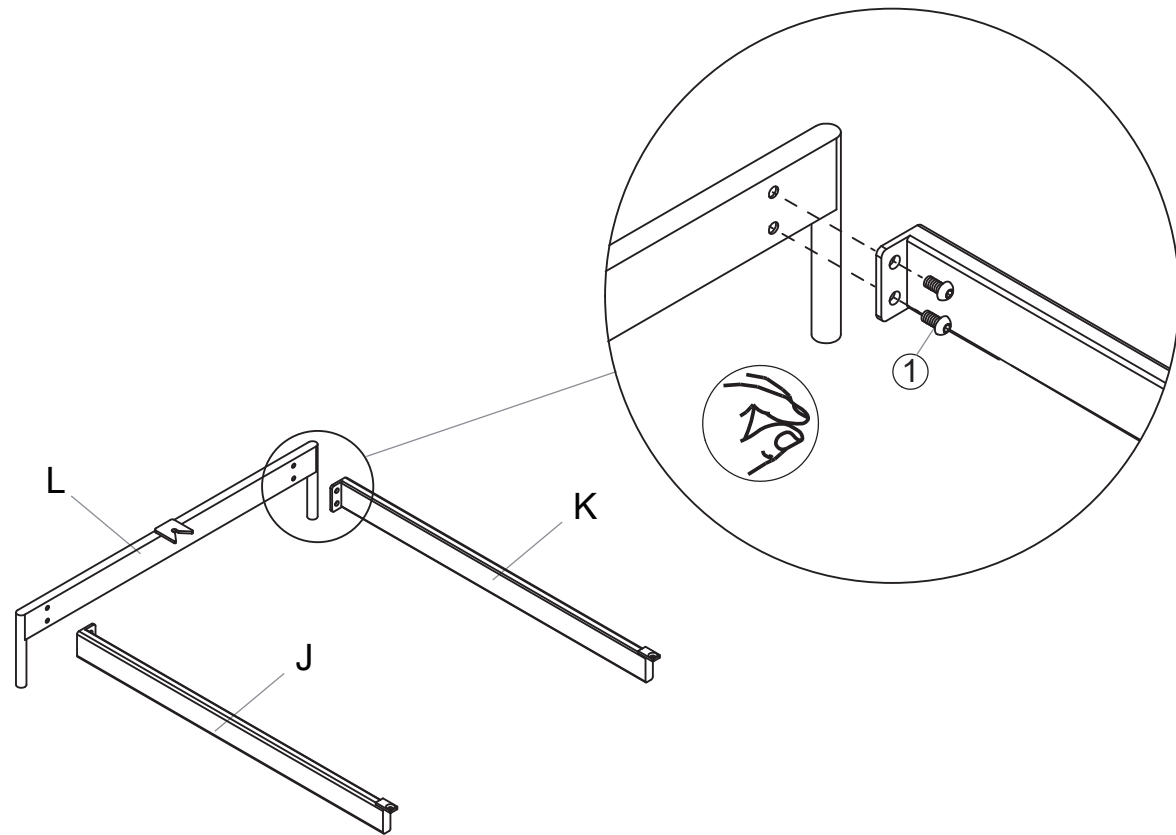
5A

② x 2 



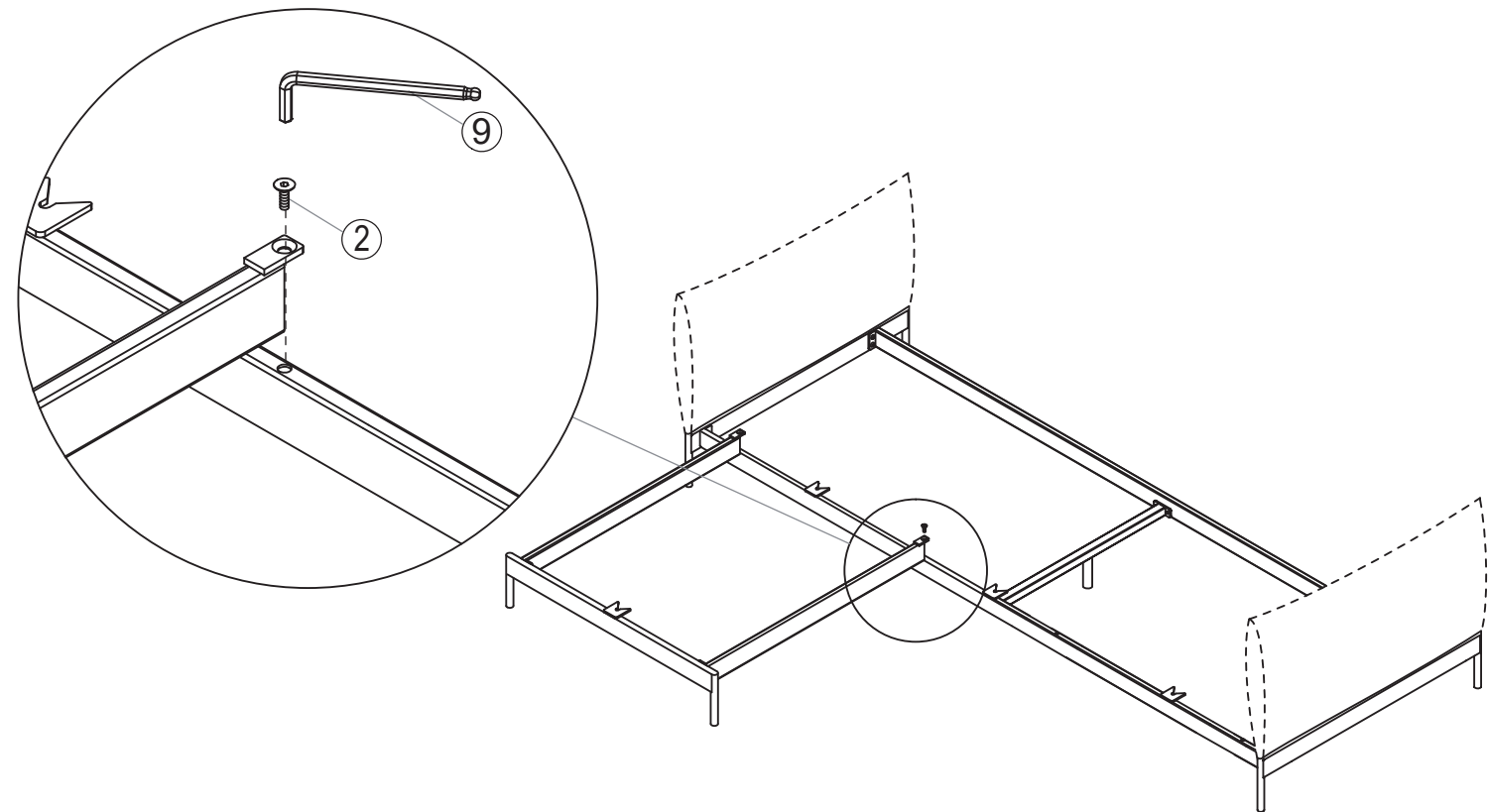
4

① x 4 

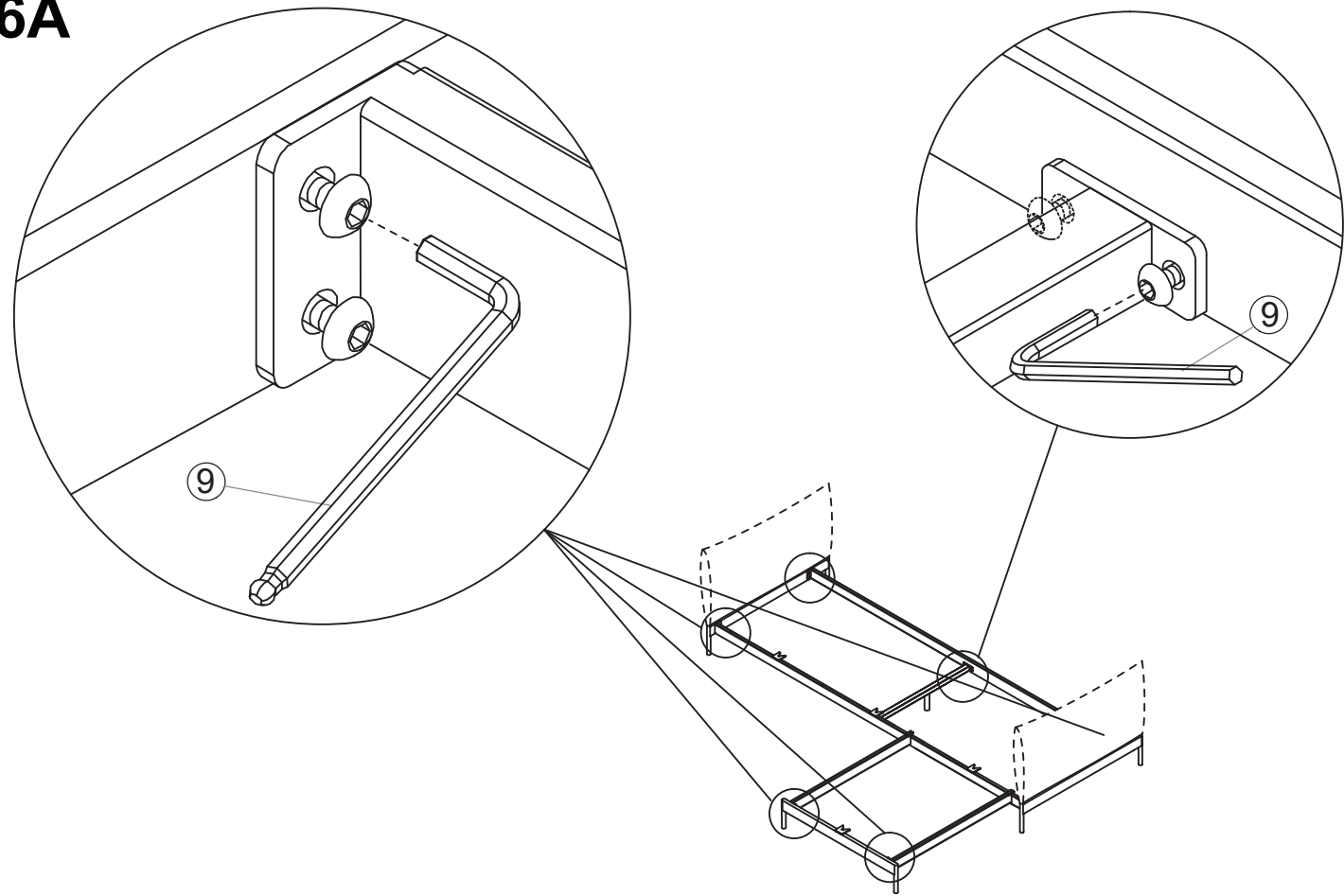


5B

② x 2 



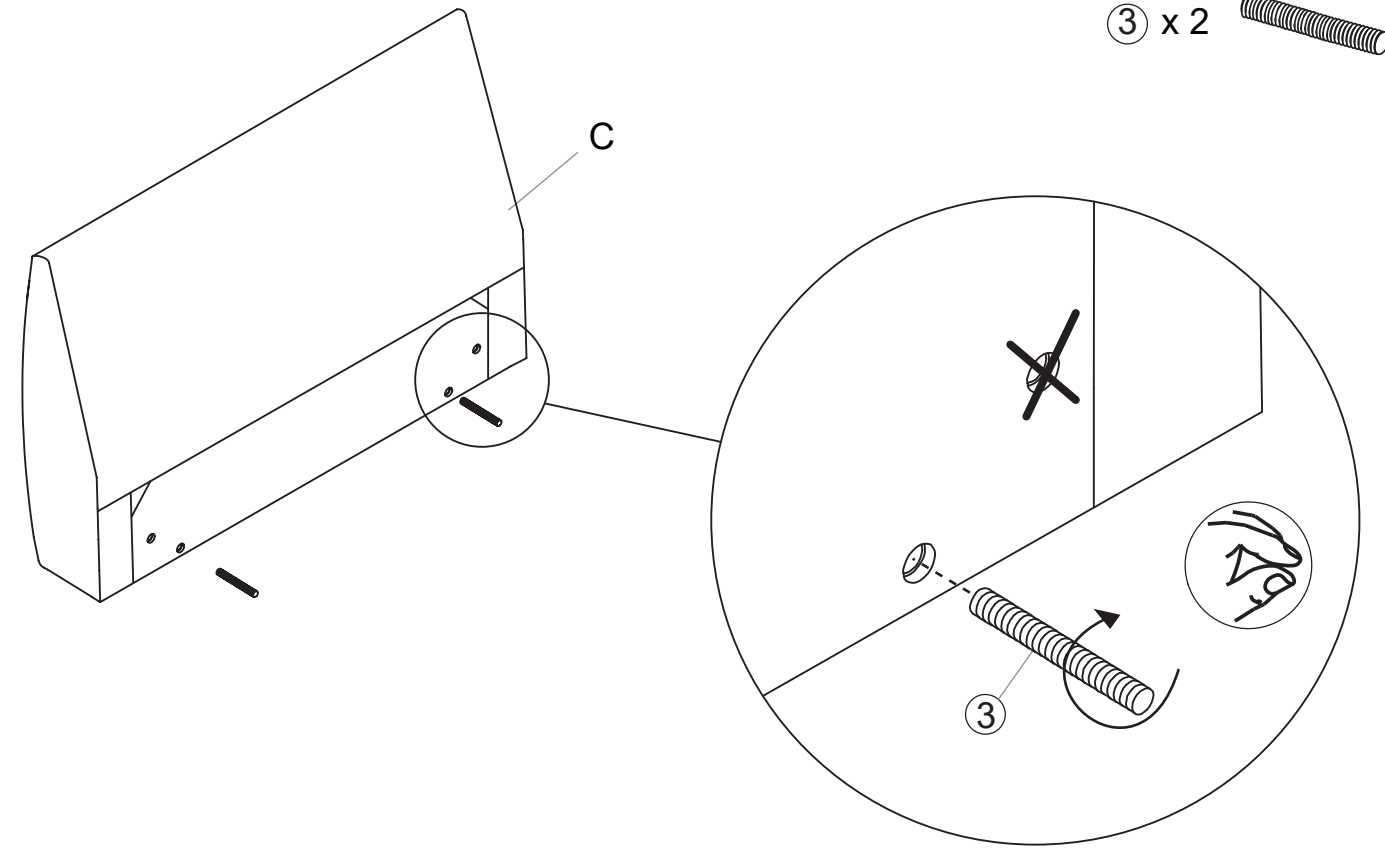
6A



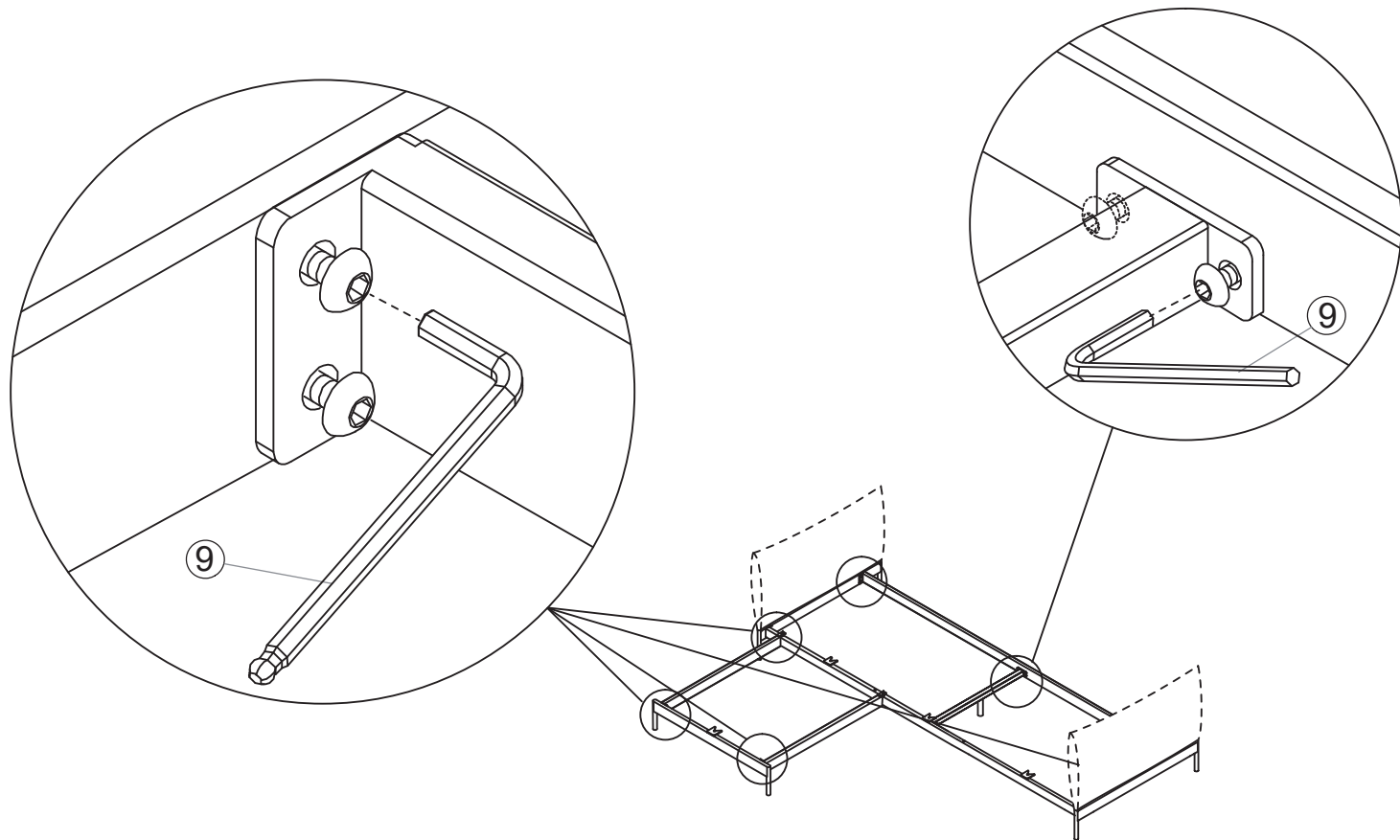
06998-060-09
Combination D3

7

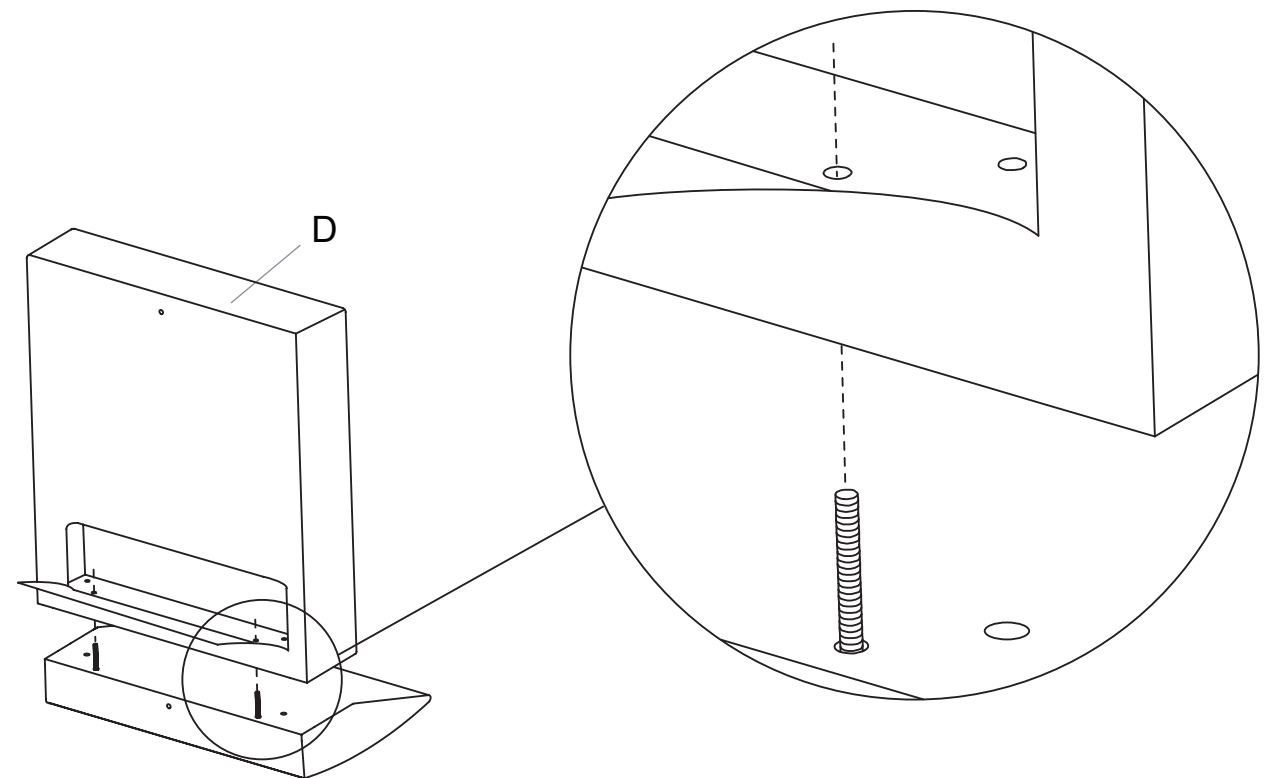
③ x 2 



6B

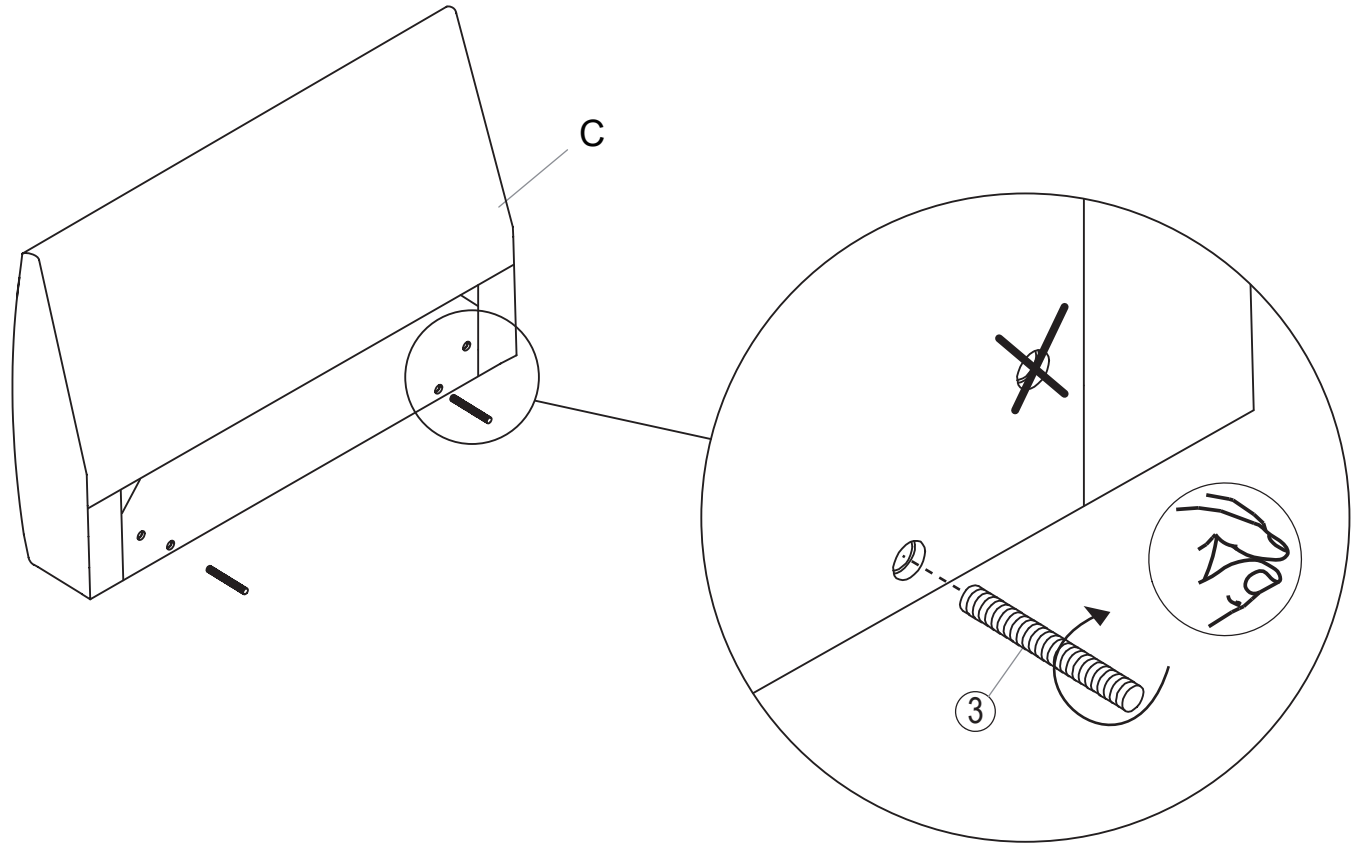


8



13

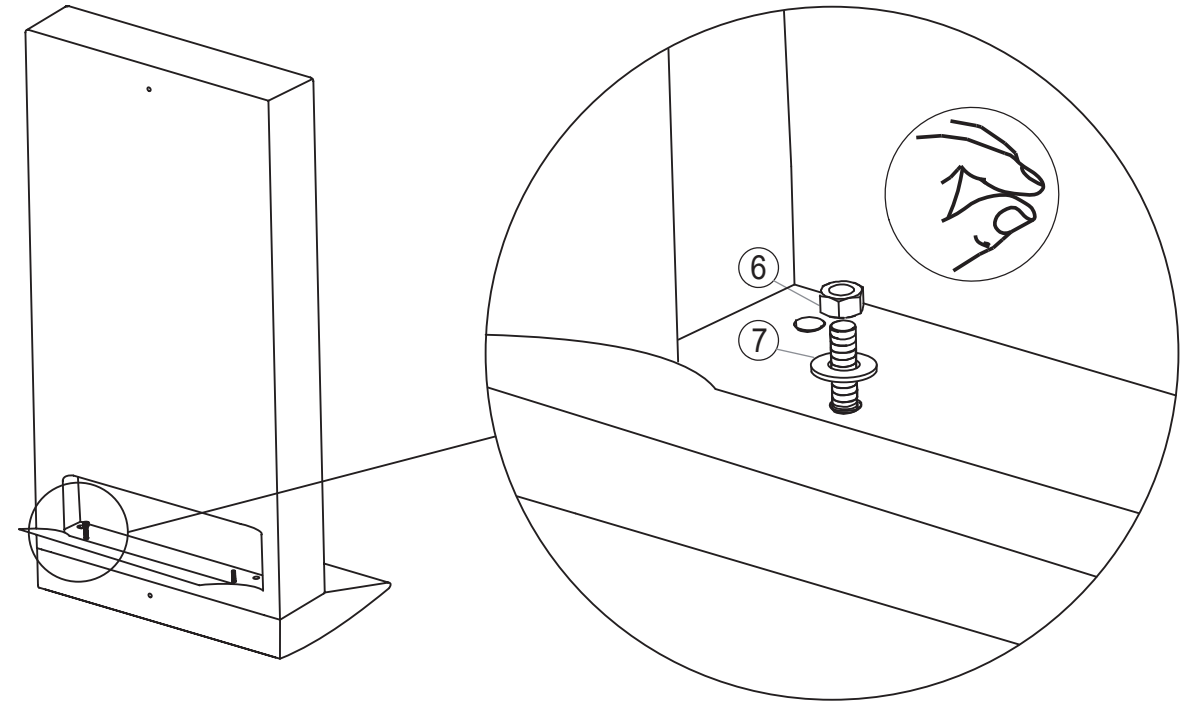
③ x 2 



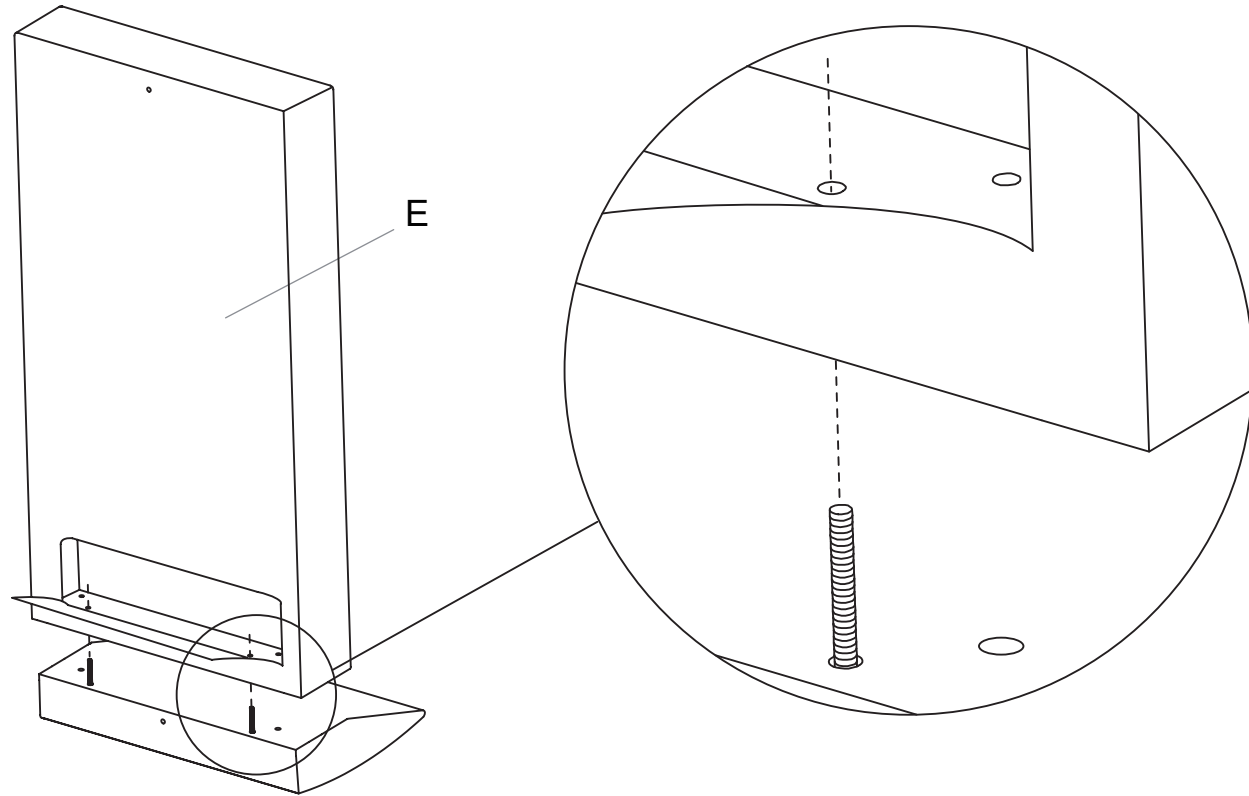
06998-060-09
Combination D3

15

⑥ x 2  ⑦ x 2 

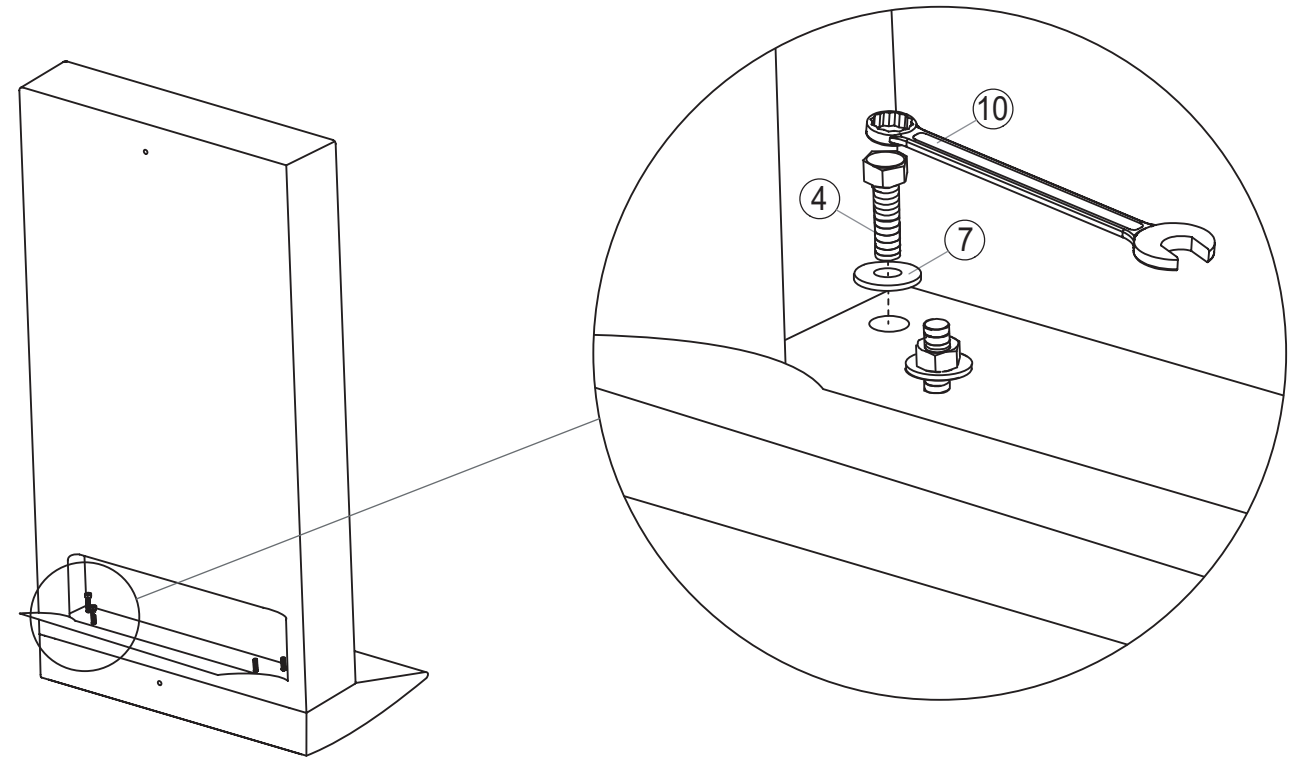


14

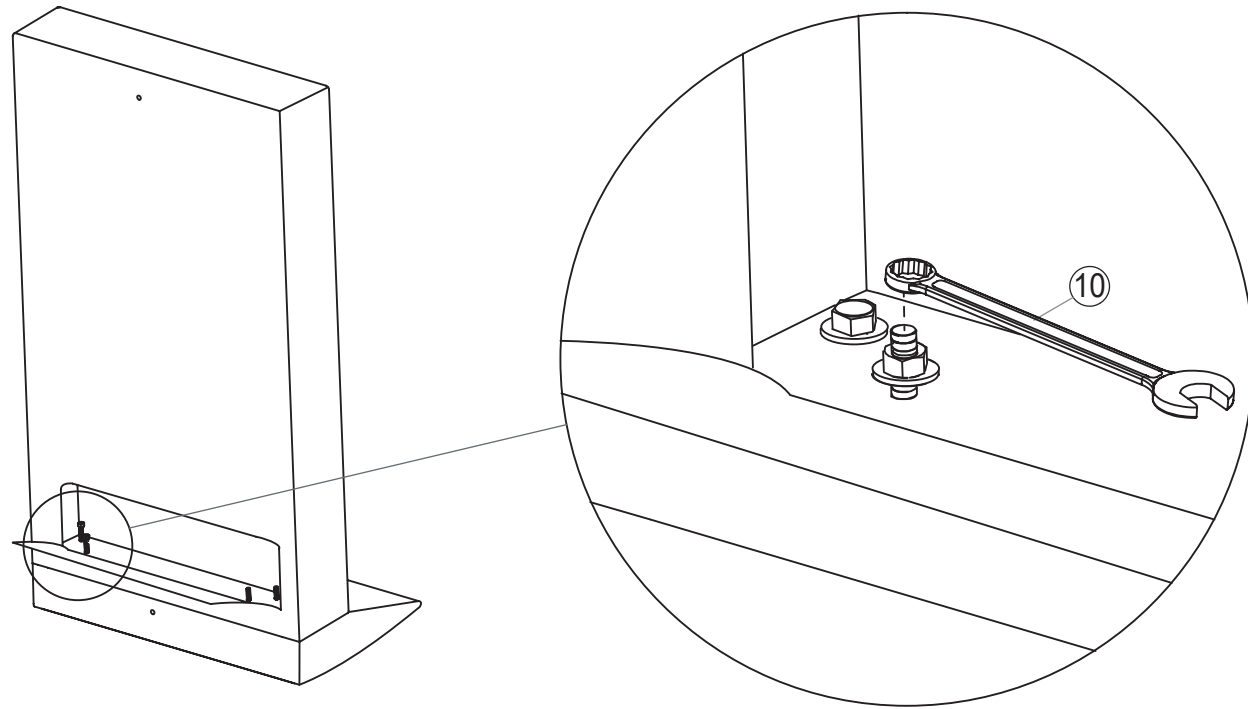


16

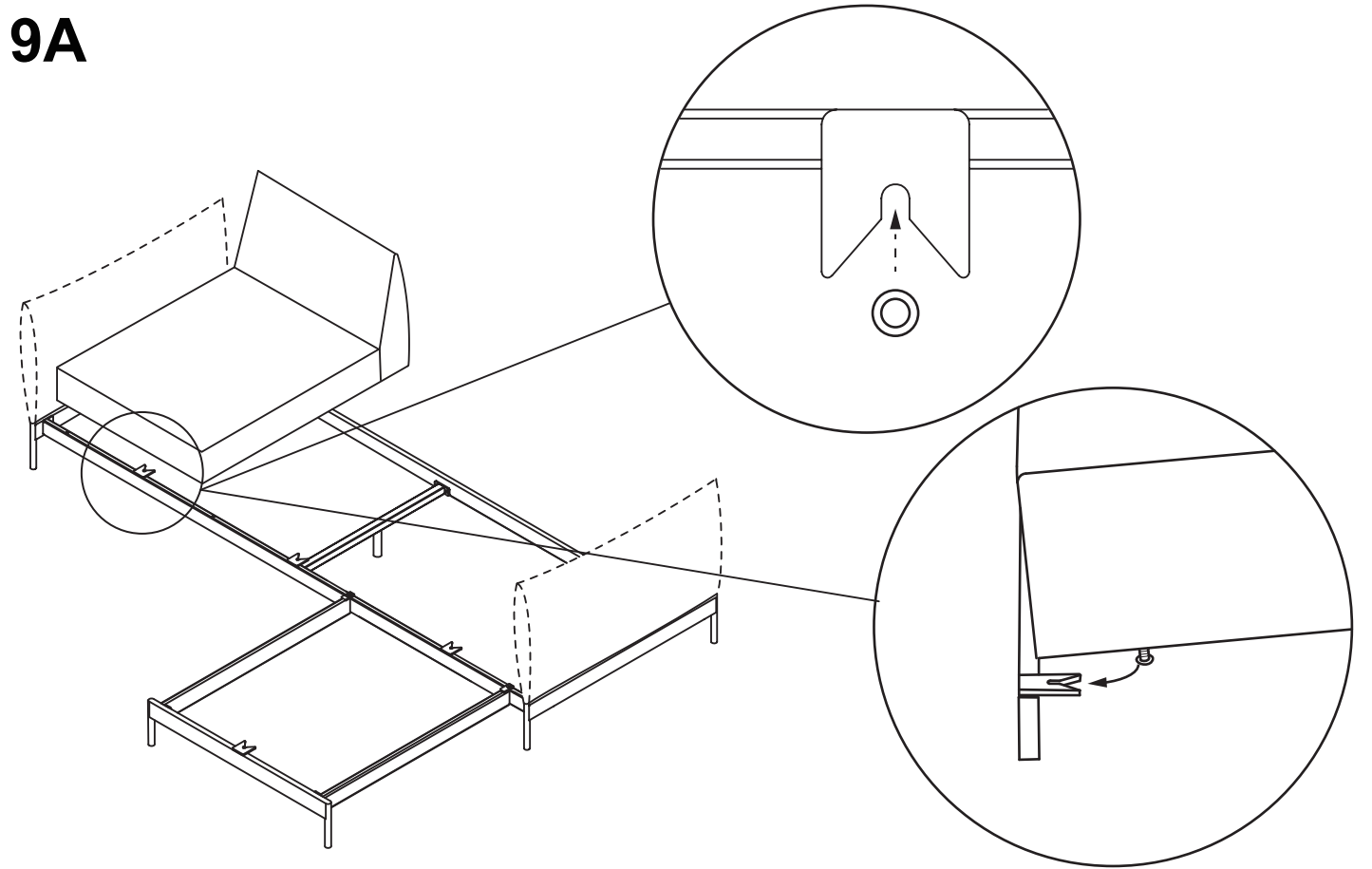
④ x 2  ⑦ x 2 



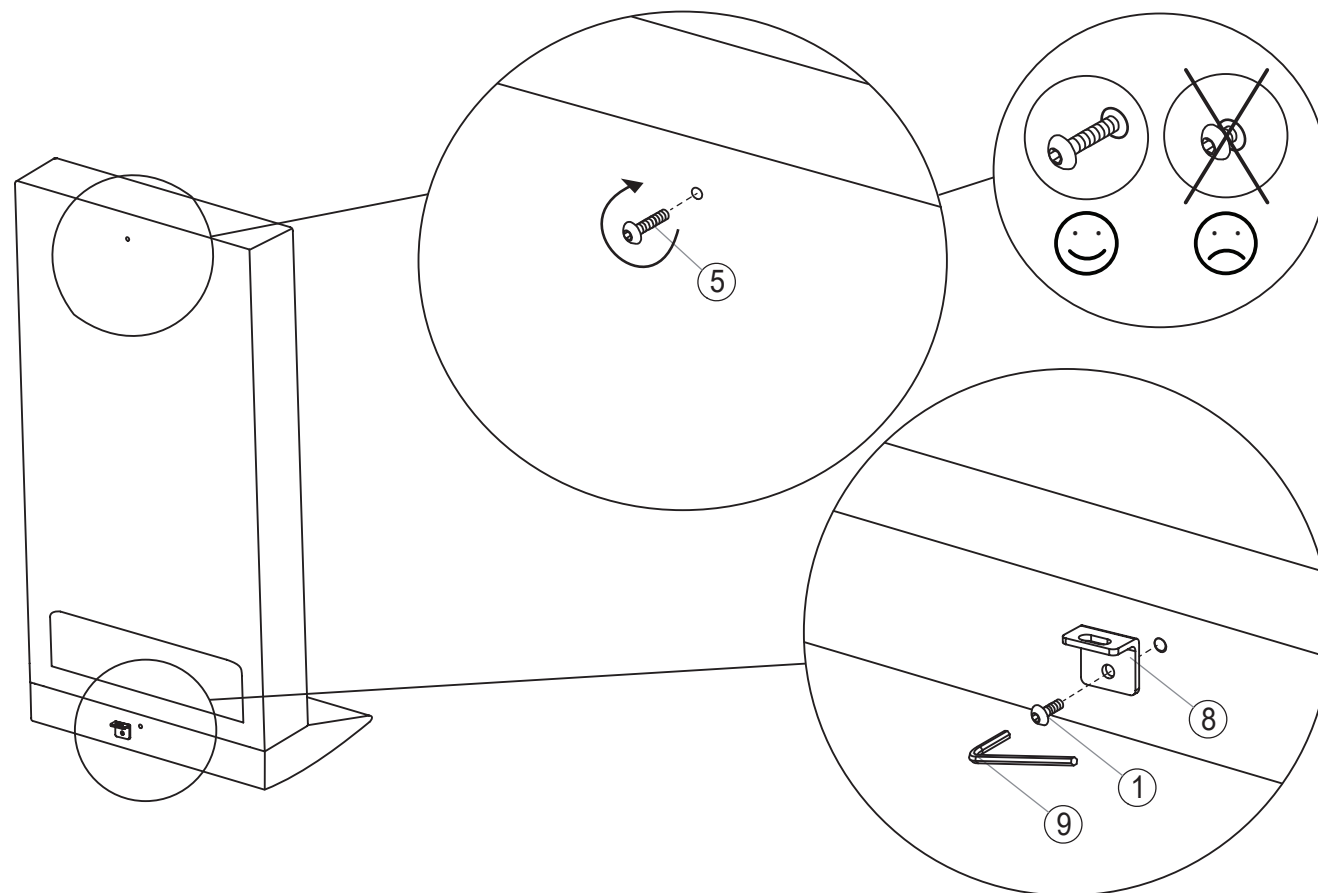
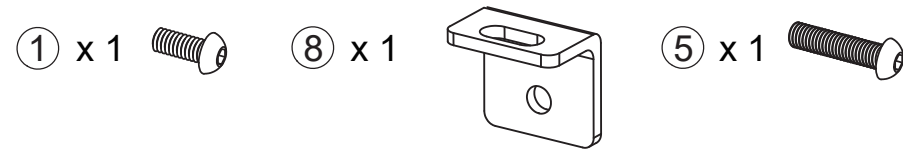
17



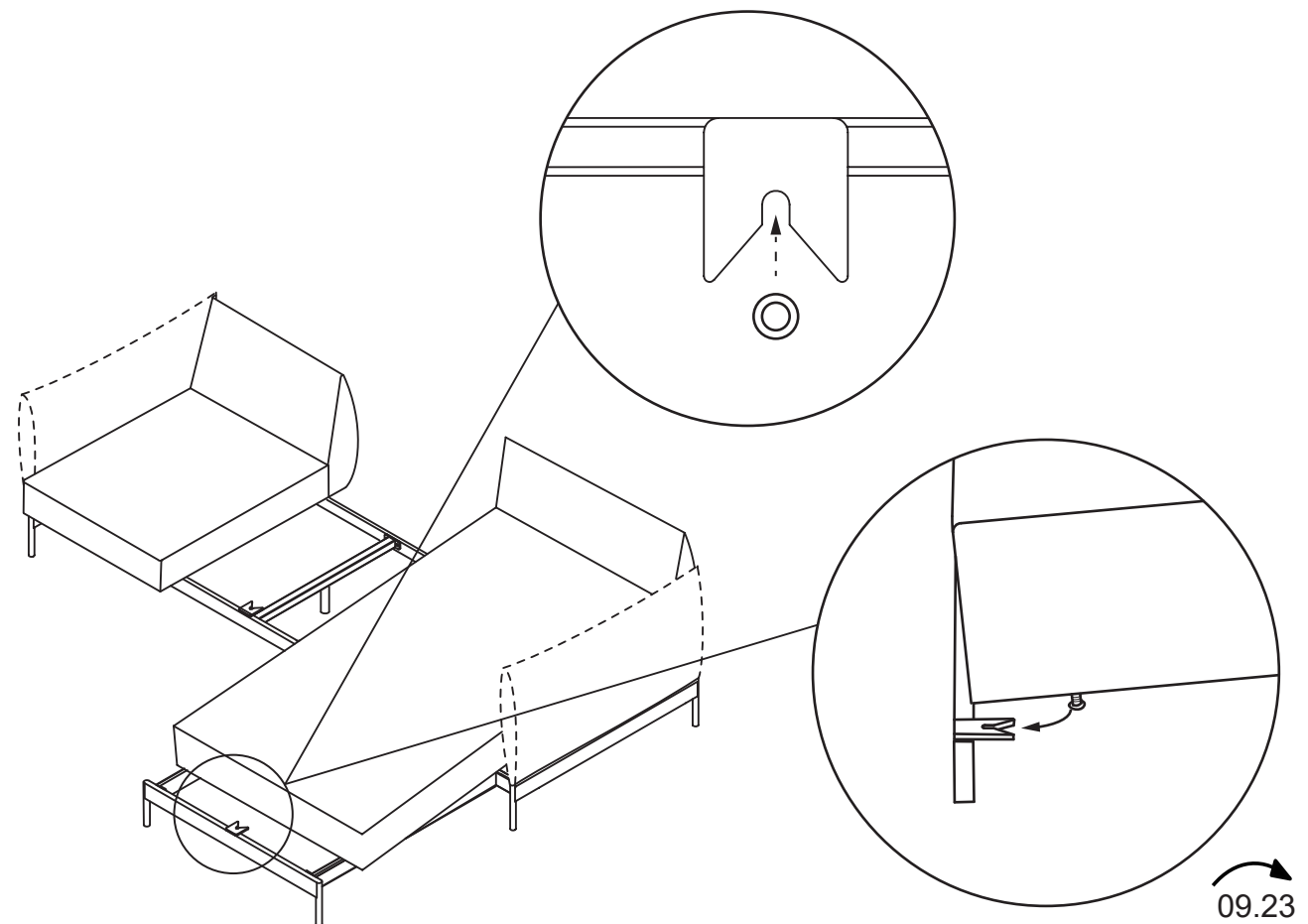
19A



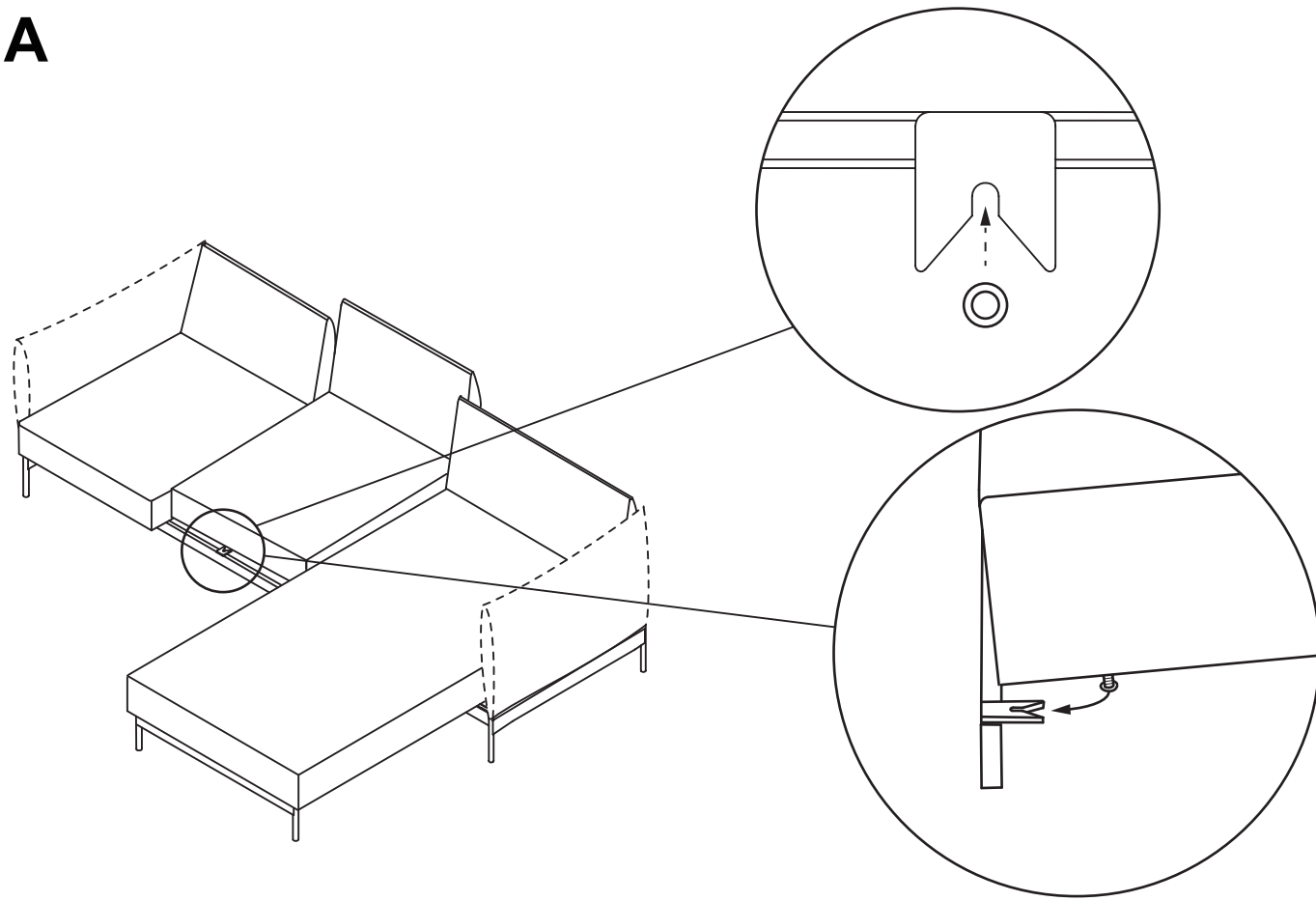
18



20A

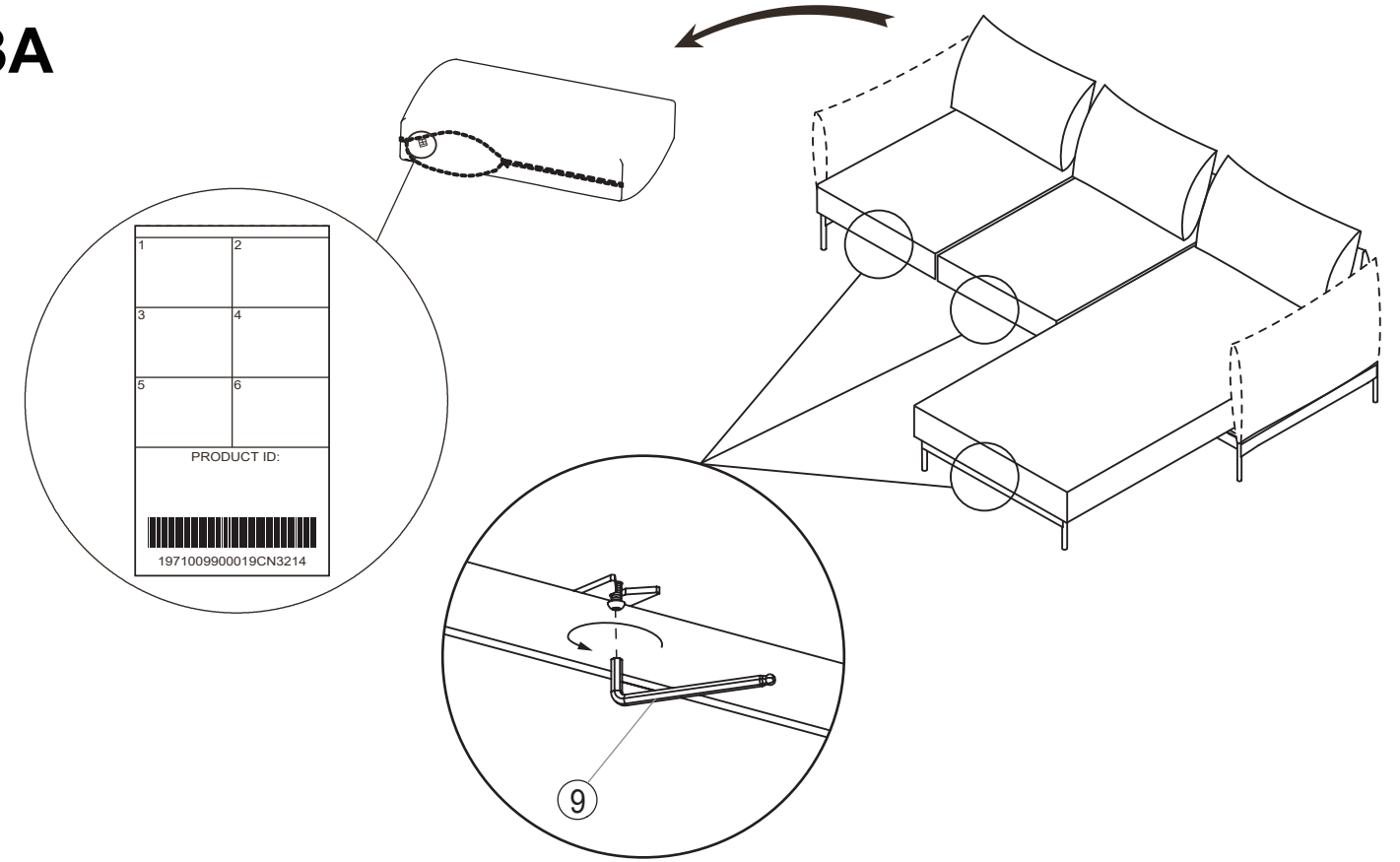


21A




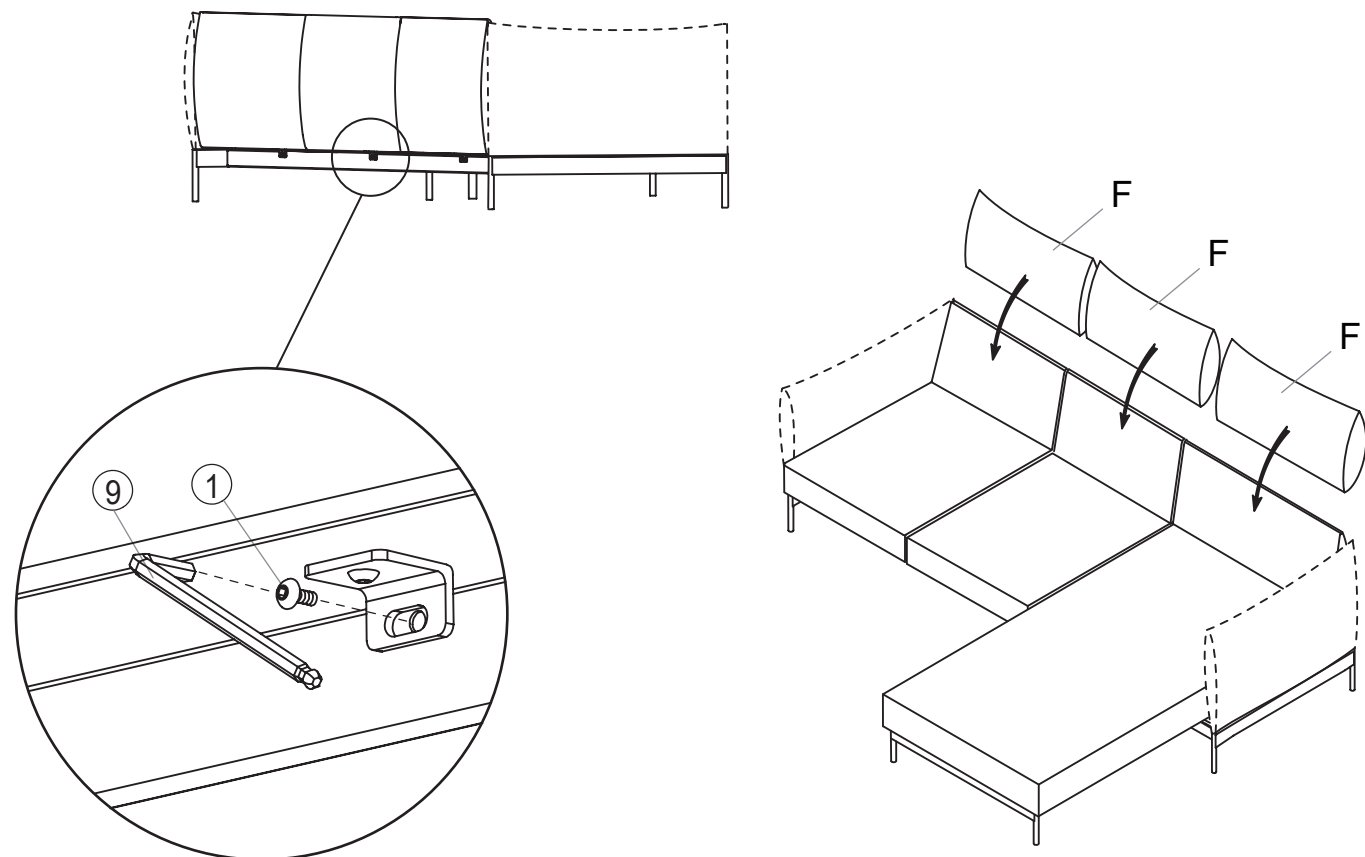
06998-060-09
Combination D3

23A

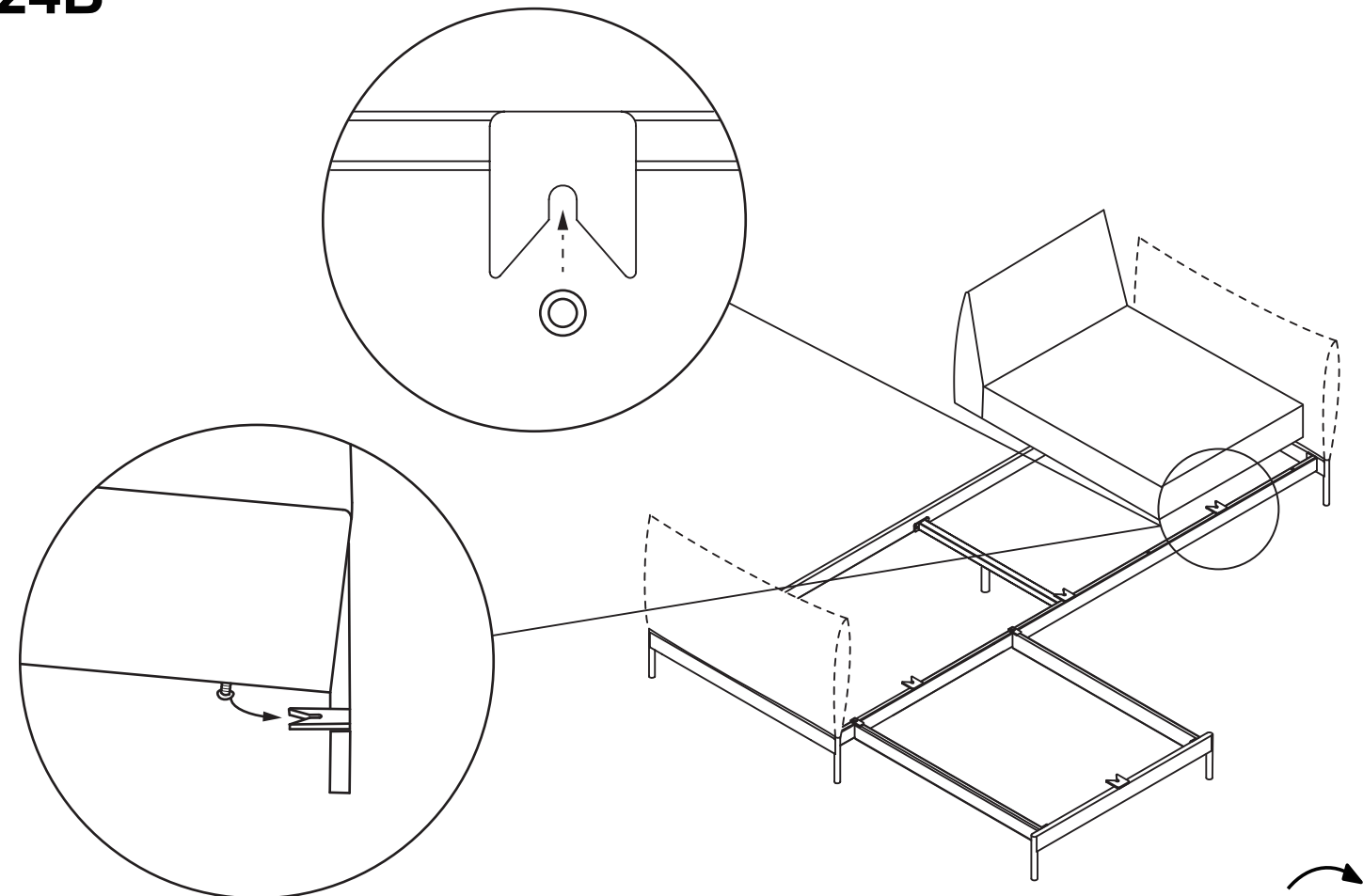


22A

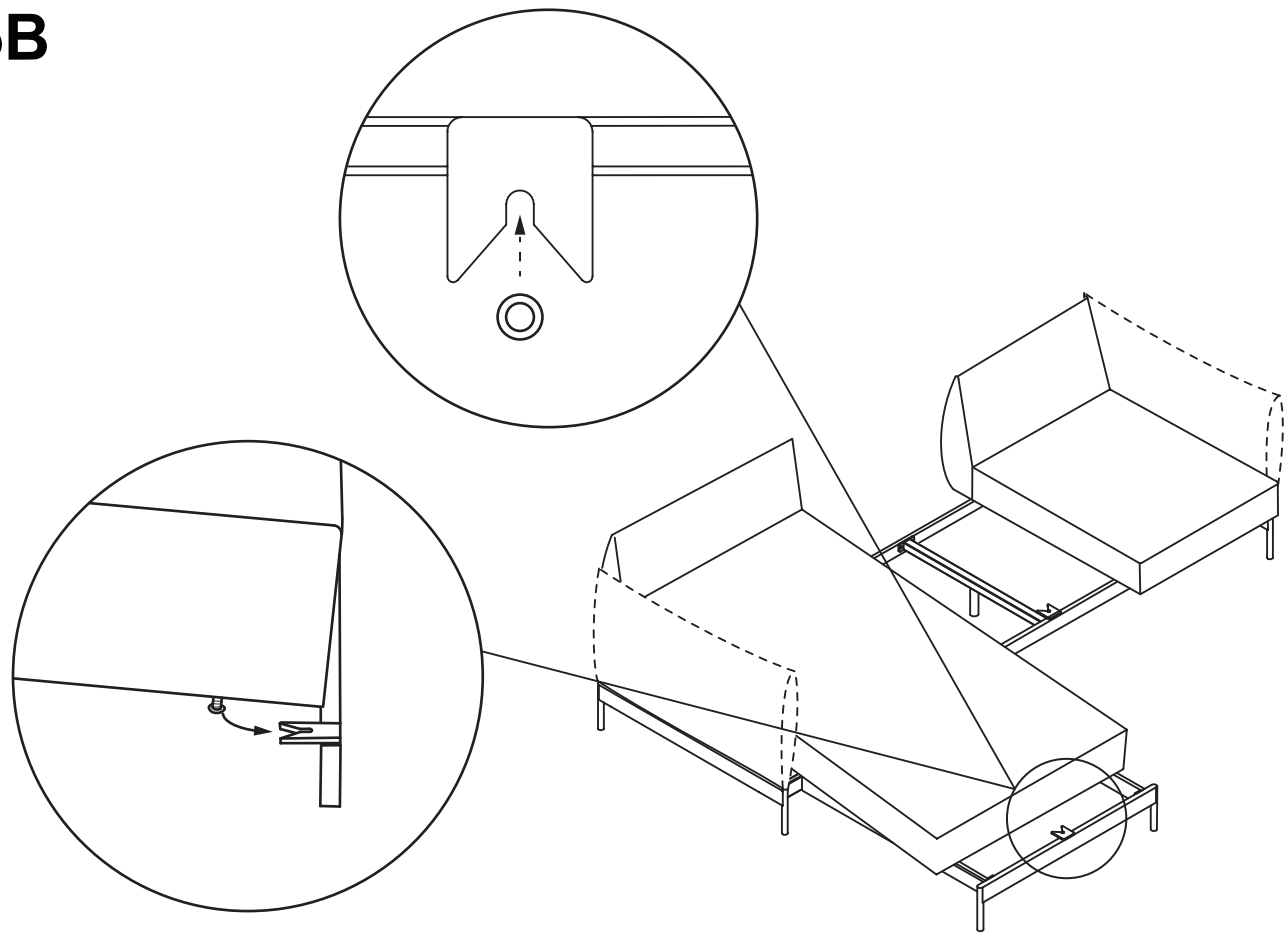
① x 3 



24B



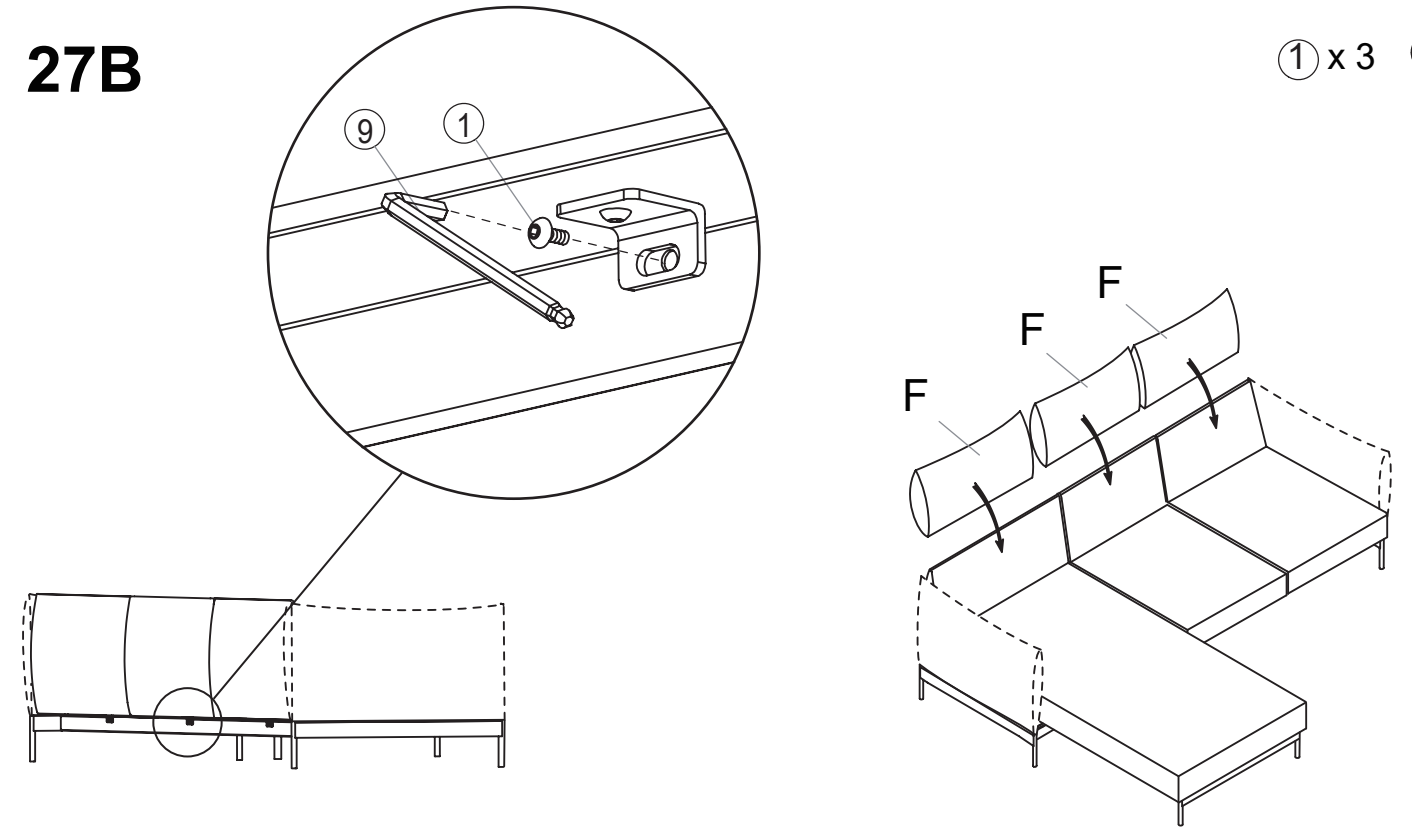
25B



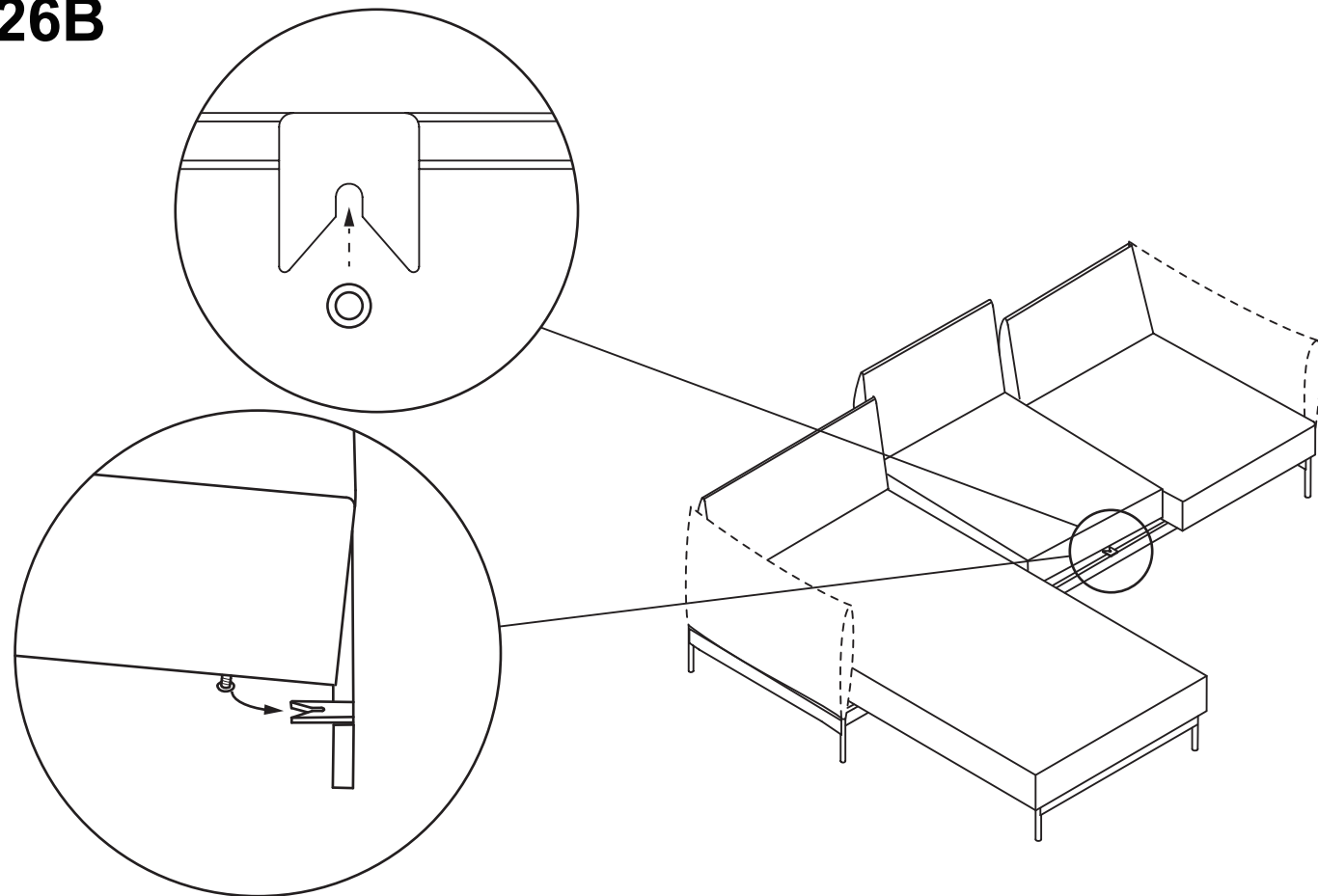
06998-060-09
Combination D3

27B

① x 3 



26B



28B

